

SERIES 542 High-accuracy Linear Gage LGH Series



*New Contact-type Length Measuring
Sensor Offers High Accuracy and
Resolution and a Wide Measuring Range*

Resolution

0.005 μm (5nm)

0.01 μm (10nm)



Sensor Systems



SERIES 542 High-accuracy Linear Gage LGH Series

Features

- This series has achieved the outstanding accuracy of 0.005/0.01 μ m (according to model), equivalent to that of a laser interferometer, and a wide measuring range of 10mm.
- A compact body design makes a significant contribution to a downsizing of this gage itself, which is best suited for calibration/evaluation of master gages as well as measurement of high-precision parts and as a length measuring sensor incorporated into high-precision positioning/control units.
- A low measuring force model is available. This enables measurement of easily-deformed workpieces or the thickness of delicate films.
- Every LGH series gage is bundled with a dedicated counter.



LGH-1010(C)-B-EH

- This series is equipped with a newly adopted photoelectric reflection-type linear encoder, to achieve an excellent resolution of 0.01 μ m, a measuring accuracy of 0.2 μ m and a measuring range of 10mm at a low price.
- Responsivity has been improved by 2.8 times (250mm/s => 700mm/s) compared to the previous model.



LGH-0510(C)-B-EH

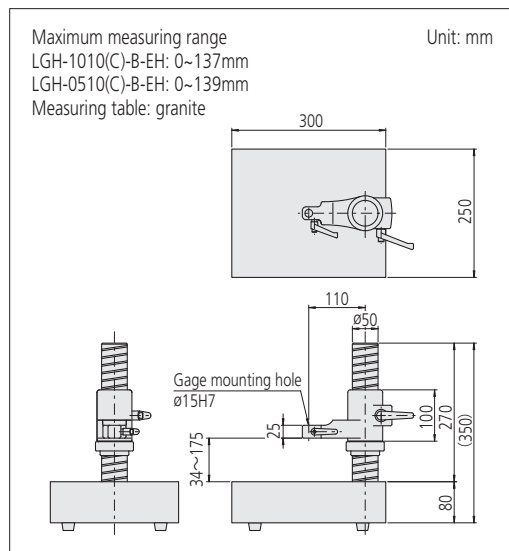
- This series is equipped with a newly developed ultra-high precision transmission-type linear encoder, thereby achieving the outstanding resolution of 0.005 μ m (5nm).
- A measuring accuracy of 0.1 μ m has been attained over the wide measuring range of 10mm. This series is most suited for calibration/evaluation of master gages where its wide measuring range is a great advantage.

Optional Accessories

- LGH stand: **971750**
- Spindle lifting cable: **971753**
- SENSORPAK (Measurement data loading software): **02NGB070**

LGH stand 971750

This LGH stand greatly helps the gage to achieve high accuracy.
Mass: 23kg



SENSORPAK (Measurement data loading software) 02NGB070

This is a software program that allows graphic meter indication and control chart display as well as recording/storage of measurement data.

* To connect between a PC and the exclusive counter, a USB cable (A-B type) is required separately.



Spindle lifting cable

971753 Mass: 50g

This is a spindle lifting release for LGH.



Quality Assurance

Standard Accessories: Inspection certificate

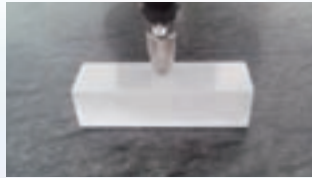


Option

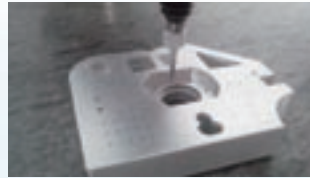
- Calibration certificate
- Traceability system chart

Application

Master gage calibration/evaluation



Inspection of high-precision parts



* Needle contact-point mounting example

Specifications

Order No.	Resolution 0.01 μ m / Accuracy 0.2 μ m model		Resolution 0.005 μ m / Accuracy 0.1 μ m model	
	542-715 (Standard)	542-716 (Low measuring force)	542-720 (Standard)	542-721 (Low measuring force)
Measuring range	10mm			
Resolution	0.01 μ m (0.05 μ m, 0.1 μ m, 0.5 μ m, 1 μ m can be selected from the counter)		0.005 μ m (0.01 μ m, 0.05 μ m, 0.1 μ m can be selected from the counter)	
Measuring accuracy (20°C) *1	0.2 μ m		0.1 μ m	
Repeatability (20°C) *1	0.1 μ m (2 σ)		0.02 μ m (2 σ)	
Retrace error (20°C) *1	0.1 μ m		0.05 μ m	
Measuring force	Contact point downwards	0.65N or less	Approx. 0.12N	0.65N or less
	Contact point horizontal	0.55N or less	Not applicable	0.55N or less
	Contact point upwards	0.45N or less	Not applicable	0.45N or less
Position detection method	Photoelectric reflection type linear encoder		Ultra-high accuracy transmission type linear encoder	
Detectable operation speed	In normal measurement: 700mm/sec; for peak detection: 120mm/sec		In normal measurement: 250mm/sec	
Mass of gage head	Approx. 370g		Approx. 370g	
Contact point	Carbide-tipped, S ϕ 3mm (M2.5 (P=0.45)x5mm), standard contact point: 901312		Carbide sphere SR5 (M2.5 (P=0.45)x5mm), standard contact point: 120058	
Stem	ϕ 15mm			
Bearing	Linear ball type			
Output cable length	Approx. 2m			
Operating temperature/humidity	0°C~40°C (Reference temperature 20°C)/20~80%RH (no condensation)		15°C~25°C (Reference temperature 20°C)/30~60%RH (no condensation)	
Storage temperature	-10°C~60°C/20~80%RH (no condensation)		-10°C~60°C/20~80% (no condensation) *2	
Counter Specifications				
Display range	\pm 999.99999mm		\pm 99.999995mm	
Functions	Zero-setting, presetting, direction changeover, tolerance, judgment (3 steps/5 steps), RS-RINK			
Hold function	Yes		No	
Interface	RS-232C, USB (only for SENSORPAK), Digimatic (Printer:DP-1VR)*3, I/O Connector			
External output	•RS-232C: counting data •Digimatic output: counting data*3 •I/O connector: counting data (simplified BCD), tolerance judgment result, simplified analog output			
External control	Zero-setting, presetting, data hold, peak measurement mode selection*4, peak clear*4			
Power supply	Supplied AC Adapter, or +12 to 24V DC, max 700mA			
Current consumption	8.4W (MAX 700mA), Ensure at least 1A power supply per unit.			
Mass of counter	Approx. 900g (AC Adapter excluded)			
Standard accessories	Wrench for contact point, rubber boot, stand, washer (for counter), AC Adapter, AC cord, DC plug, user's manual, inspection certificate			

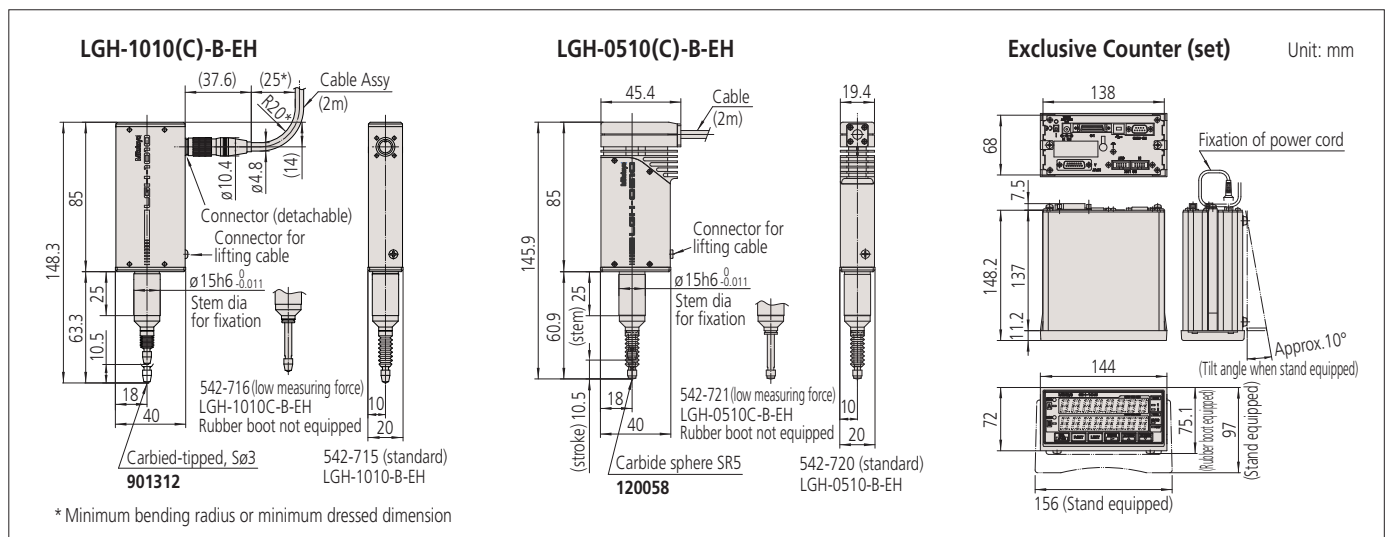
*1 Applies when used with counter (excluding quantizing error).

*2 The storage temperature/humidity range after unpacking is the same as the operating temperature/humidity range.

*3 Digimatic output shall be up to 6 digits of data. For data of 7 digits or more, all digits will not be output to the display.

*4 These functions are only available on **542-715** and **542-716**.

Dimensions





Whatever your challenges are, Mitutoyo supports you from start to finish.

Mitutoyo is not only a manufacturer of top quality measuring products but one that also offers qualified support for the lifetime of the equipment, backed up by comprehensive services that ensure your staff can make the very best use of the investment.

Apart from the basics of calibration and repair, Mitutoyo offers product and metrology training, as well as IT support for the sophisticated software used in modern measuring technology. We can also design, build, test and deliver bespoke measuring solutions and even, if deemed cost-effective, take your critical measurement challenges in-house on a sub-contract basis.



Find additional product literature
and our product catalogue

<http://www.mitutoyo.co.jp/global.html>

**Our products are classified as regulated items under Japanese Foreign Exchange and Foreign Trade Law. Please consult us in advance if you wish to export our products to any other country.
If the purchased product is exported, even though it is not a regulated item (Catch-All controls item), the customer service available for that product may be affected. If you have any questions, please consult your local Mitutoyo sales office.**

Note: Product illustrations are without obligation. Product descriptions, in particular any and all technical specifications, are only binding when explicitly agreed upon.

MITUTOYO and MICAT are either registered trademarks or trademarks of Mitutoyo Corp. in Japan and/or other countries/regions. Other product, company and brand names mentioned herein are for identification purposes only and may be the trademarks of their respective holders.

Mitutoyo

Mitutoyo Corporation

20-1, Sakado 1-Chome,
Takatsu-ku, Kawasaki-shi,
Kanagawa 213-8533, Japan
T +81 (0) 44 813-8230
F +81 (0) 44 813-8231
<http://www.mitutoyo.co.jp>