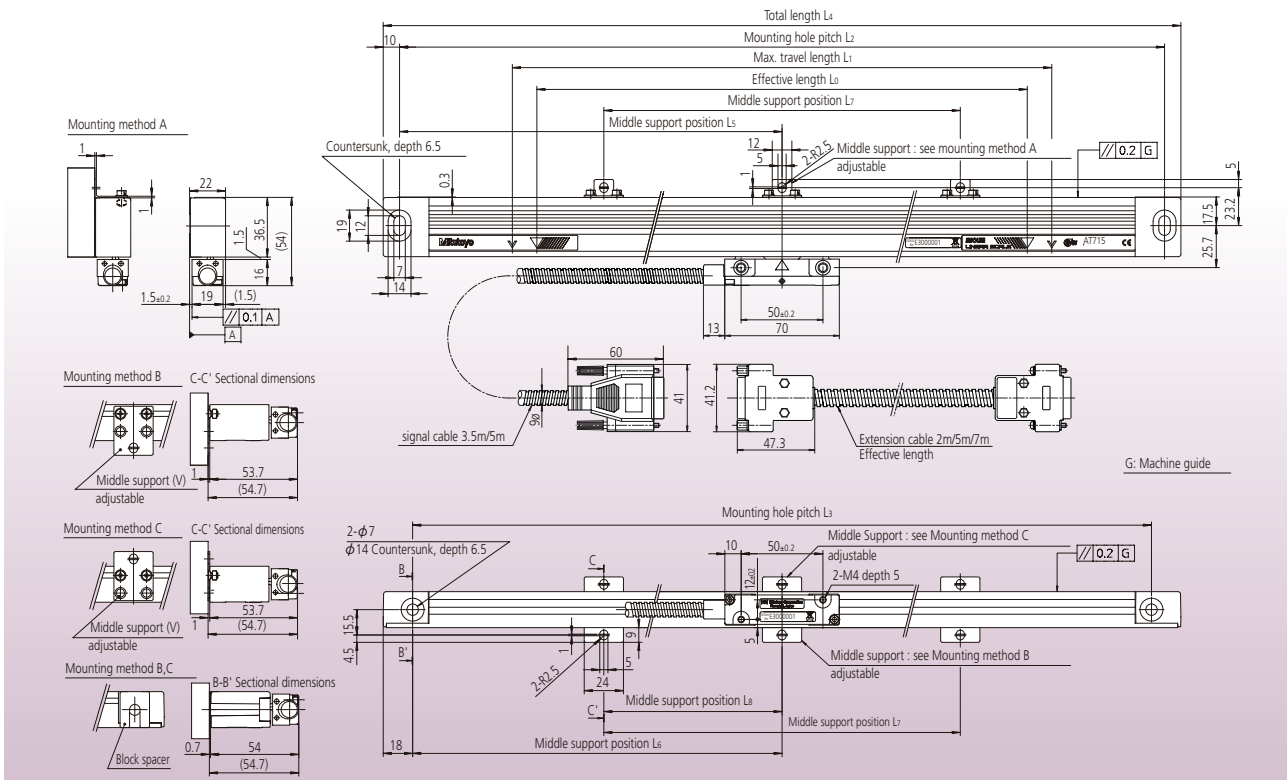


AT715, ABSOLUTE and High Environmental Resistance Type Using ABSOLUTE® Electromagnetic Induction System



Order No. and mounting dimensions

mm (inch)

Order No. / Model No.	Effective length L ₀	Maximum travel length L ₁	Mounting hole pitch L ₂	Mounting hole pitch L ₃	Overall length L ₄	Middle support positions			Signal cable length
						L ₅	L ₆	L ₇	
539-801 / AT715-100	100(4")	120(4.72")	258(10.16")	242(9.53")	278(10.94")	—	—	—	3500 (137.80)
539-802 / AT715-150	150(6")	170(6.69")	308(12.13")	292(11.50")	328(12.91")	—	—	—	
539-803 / AT715-200	200(8")	220(8.66")	358(14.09")	342(13.46")	378(14.88")	—	—	—	
539-804 / AT715-250	250(10")	270(10.63")	408(16.06")	392(15.43")	428(16.85")	—	—	—	
539-805 / AT715-300	300(12")	330(12.99")	468(18.43")	452(17.80")	488(19.21")	—	—	—	
539-806 / AT715-350	350(14")	380(14.96")	518(20.39")	502(19.76")	538(21.18")	—	—	—	
539-807 / AT715-400	400(16")	430(16.93")	568(22.36")	552(21.73")	588(23.15")	—	—	—	
539-808 / AT715-450	450(18")	480(18.90")	618(24.33")	602(23.70")	638(25.12")	—	—	—	
539-809 / AT715-500	500(20")	540(21.26")	678(26.69")	662(26.06")	698(27.48")	339(13.35")	331(13.03")	—	
539-811 / AT715-600	600(24")	640(25.20")	778(30.63")	762(30.00")	798(31.42")	389(15.31")	381(15.00")	—	
539-813 / AT715-700	700(28")	740(29.13")	878(34.57")	862(33.94")	898(35.35")	439(17.28")	431(16.97")	—	
539-814 / AT715-750	750(30")	780(30.71")	918(36.14")	902(35.51")	938(36.93")	459(18.07")	451(17.76")	—	
539-815 / AT715-800	800(32")	840(33.07")	978(38.50")	962(37.87")	998(39.29")	489(19.25")	481(18.94")	—	
539-816 / AT715-900	900(36")	940(37.01")	1078(42.44")	1062(41.81")	1098(43.23")	539(21.22")	531(20.91")	—	
539-817 / AT715-1000	1000(40")	1040(40.94")	1178(46.38")	1162(45.75")	1198(47.17")	589(23.19")	581(22.87")	—	
539-818 / AT715-1100	1100(44")	1140(44.88")	1278(50.31")	1262(49.69")	1298(51.10")	639(25.16")	631(24.84")	430(16.93")	
539-819 / AT715-1200	1200(48")	1240(48.82")	1378(54.25")	1362(53.62")	1398(55.04")	689(27.13")	681(26.81")	460(18.11")	
539-820 / AT715-1300	1300(52")	1340(52.76")	1478(58.19")	1462(57.56")	1498(58.98")	739(29.10")	731(28.78")	490(19.29")	
539-821 / AT715-1400	1400(56")	1440(56.69")	1578(62.13")	1562(61.50")	1598(62.91")	789(31.07")	781(30.75")	520(20.63")	
539-822 / AT715-1500	1500(60")	1540(60.63")	1678(66.06")	1662(65.43")	1698(66.85")	839(33.04")	831(32.72")	550(21.69")	
539-823 / AT715-1600	1600(64")	1640(64.57")	1778(70.00")	1762(69.37")	1798(70.79")	889(35.01")	881(34.69")	580(22.87")	
539-824 / AT715-1700	1700(68")	1740(68.50")	1878(73.94")	1862(73.31")	1898(74.72")	939(36.98")	931(36.65")	610(24.02")	
539-825 / AT715-1800	1800(72")	1840(72.44")	1978(77.87")	1962(77.24")	1998(78.66")	989(38.95")	981(38.62")	640(25.19")	

Extension cable*

Order No.	Cable length
09AAB674A	2m (6.5 feet)
09AAB674B	5m (16.4 feet)
09AAB674C	7m (22.9 feet)

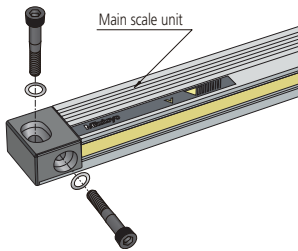
Mounting parts (provided as standard)

Items included	Quantity	Notes
• Hex-socket head screw (M6x25)	2 pcs.	
• Hex-socket head screw (M4x25)	2 pcs.	
• Hex-socket head screw (M4x8)	6 pcs.	
• Plain washer (6mm nominal)	2 pcs.	
• Plain washer (4mm nominal)	2 pcs.	
• Cable clip	6 pcs.	
• Spacer (0.3, 0.4, 0.5, 0.6mm)	1 pc. each	

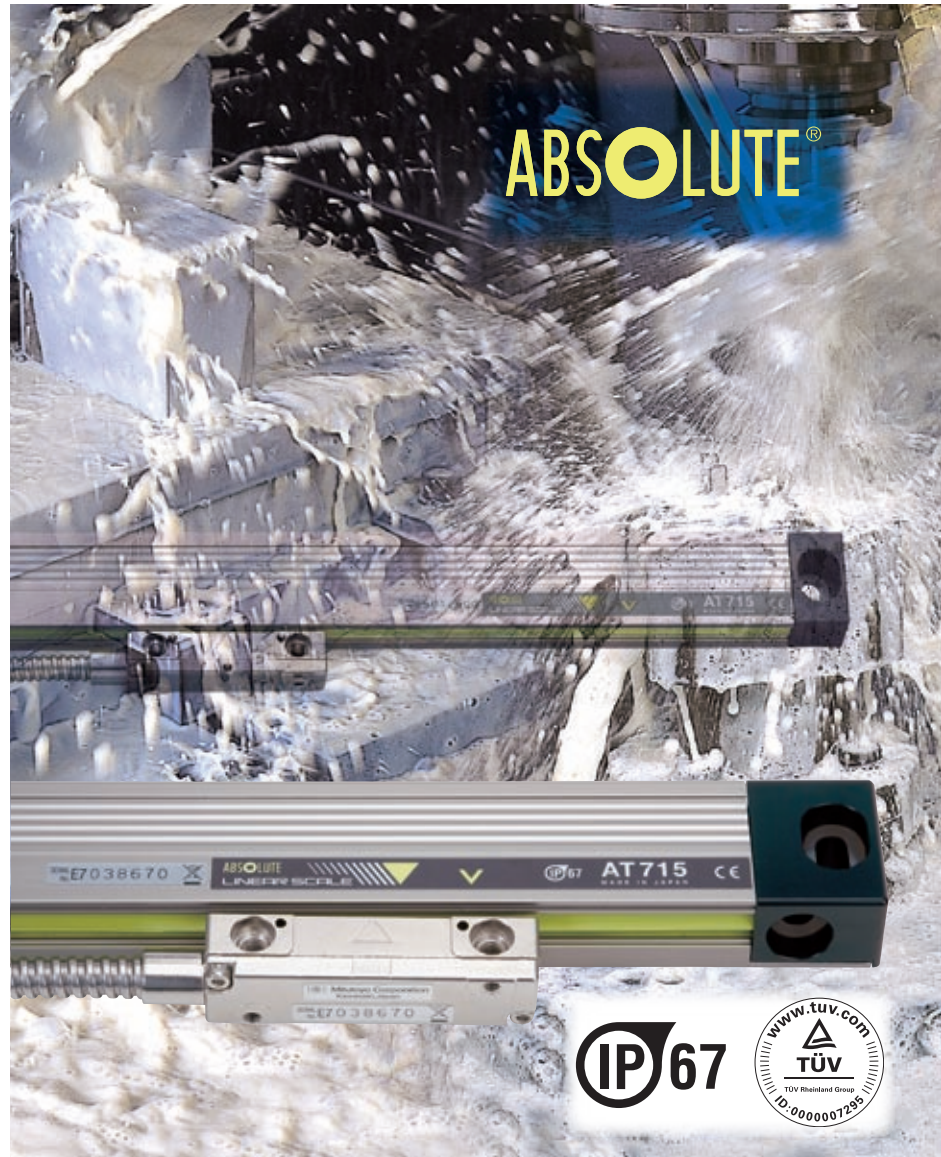
*: Use an extension cable so that the total length including the signal cable is less than 15m.

Features

- Employs the ABSOLUTE® electromagnetic induction system* to achieve IP67 environmental resistance.
- Detects and outputs an absolute position - no reference point setup needed at every power-on.
- An abnormal calculation doesn't accumulate even if the calculation mistake is generated by electrical noise.
- It is the most suitable scale to mount on the X-axis of a small lathe.
- Two mounting directions of the main scale unit allows easy mounting on a machine tool with difficult mounting arrangements.



* Patent registered (Japan, USA, India, China, Germany, UK, France, Switzerland)



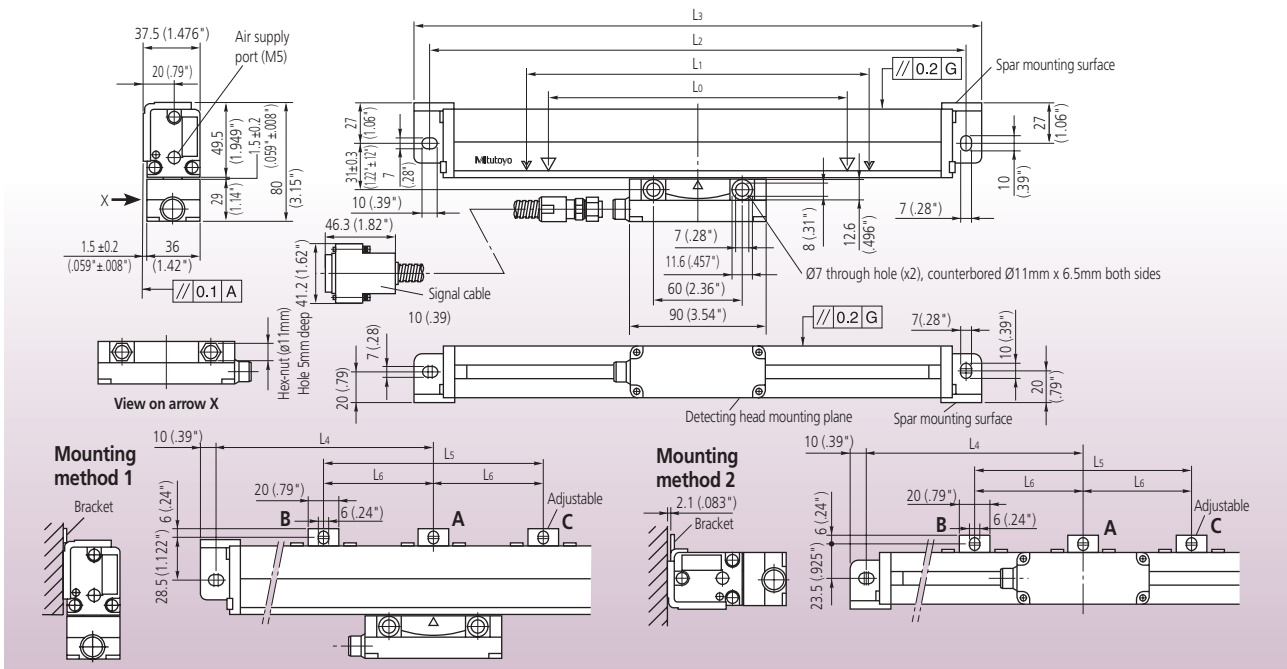
Order No. and mounting dimensions

mm (inch)

Order No. / Model No.	Effective length L ₀	Maximum travel length L ₁	Mounting hole pitch L ₂	Mounting hole pitch L ₃	Mounting hole pitch L ₄	Middle support positions			Signal cable length
						L ₅	L ₆	L ₇	
539-860 / AT715-2000	2000(80")	2040(80.31")	2178(85.75")	2162 (85.12")	2198(86.54")	539(21.22")	531(20.91")	550(21.65")	5000 (196.85)
539-861 / AT715-2200	2200(88")	2240(88.19")	2378(93.62")	2362 (92.99")	2398(94.41")	469(18.46")	461(18.15")	480(18.90")	7000*1 (275.60)
539-862 / AT715-2400	2400(96")	2440(96.06")	2578(101.50")	2562 (100.87")	2598(102.28")	509(20.04")	501(19.72")	520(20.47")	
539-863 / AT715-2500	2500(100")	2540(100.00")	2678(105.43")	2662 (104.80")	2698(106.22")	529(20.83")	521(20.51")	540(21.26")	
539-864 / AT715-2600	2600(104")	2640(103.94")	2778(109.37")	2762 (108.74")	2798(110.16")	549(21.61")	541(21.30")	560(22.05")	
539-865 / AT715-2800	2800(112")	2840(111.81")	2978(117.24")	2962 (116.61")	2998(118.03")	489(19.25")	481(18.94")	500(19.69")	
539-866 / AT715-3000	3000(120")	3040(119.68")	3178(125.12")	3162 (124.49")	3198(125.91")	529(20.83")	521(20.51")	530(20.87")	

*1: Signal cable length is the combination of signal code and extension cable (2m).

AT103, Standard-size Type



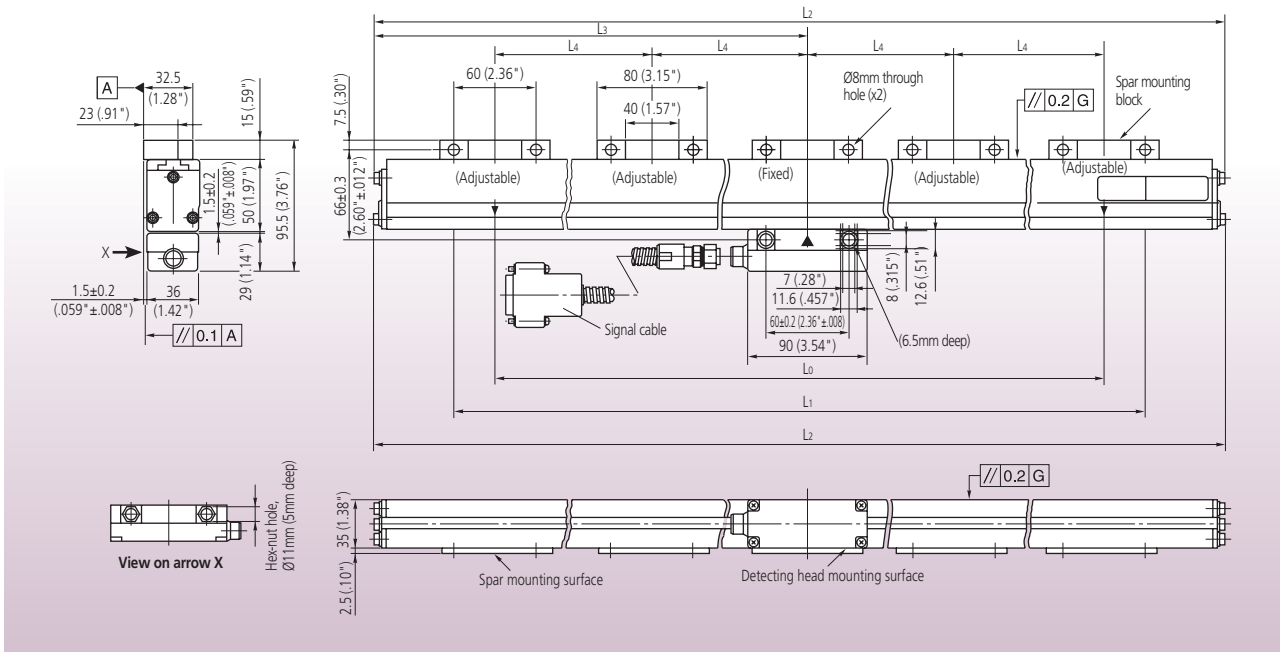
Order No. and mounting dimensions

mm (inch)

Order No. / Model No. () suffix for high accuracy type	Effective range L ₀	Travel range L ₁	Mount interval L ₂	Overall length L ₃	Supporting bracket position			Signal cable length	Mass kg (lbs.)
					L ₄	L ₅	L ₆		
539-111-30 (-40) / AT103-100 (F)	100 (4")	120 (4.72")	248 (9.76")	268 (10.55")	—	—	—	3m (9.8 feet)	1.5 (3.30)
539-112-30 (-40) / AT103-150 (F)	150 (6")	170 (6.69")	298 (11.73")	318 (12.52")	—	—	—	3m (9.8 feet)	1.6 (3.52)
539-113-30 (-40) / AT103-200 (F)	200 (8")	220 (8.66")	348 (13.70")	368 (14.49")	—	—	—	3m (9.8 feet)	1.7 (3.74)
539-114-30 (-40) / AT103-250 (F)	250 (10")	270 (10.63")	398 (15.67")	418 (16.46")	—	—	—	3m (9.8 feet)	1.8 (3.96)
539-115-30 (-40) / AT103-300 (F)	300 (12")	330 (12.99")	458 (18.03")	478 (18.82")	—	—	—	3m (9.8 feet)	1.9 (4.18)
539-116-30 (-40) / AT103-350 (F)	350 (14")	380 (14.96")	508 (20.00")	528 (20.79")	—	—	—	3m (9.8 feet)	2.0 (4.40)
539-117-30 (-40) / AT103-400 (F)	400 (16")	430 (16.93")	558 (21.97")	578 (22.76")	—	—	—	3m (9.8 feet)	2.1 (4.62)
539-118-30 (-40) / AT103-450 (F)	450 (18")	480 (18.90")	608 (23.94")	628 (24.72")	—	—	—	3m (9.8 feet)	2.2 (4.84)
539-119-30 (-40) / AT103-500 (F)	500 (20")	540 (21.26")	668 (26.30")	688 (27.09")	—	—	—	3m (9.8 feet)	2.3 (5.06)
539-121-30 (-40) / AT103-600 (F)	600 (24")	650 (25.59")	778 (30.63")	798 (31.42")	—	—	—	3m (9.8 feet)	2.6 (5.72)
539-123-30 (-40) / AT103-700 (F)	700 (28")	760 (29.92")	888 (34.96")	908 (35.75")	—	—	—	3m (9.8 feet)	2.8 (6.16)
539-124-30 (-40) / AT103-750 (F)	750 (30")	810 (31.89")	938 (36.93")	958 (37.72")	—	—	—	3m (9.8 feet)	2.9 (6.38)
539-125-30 (-40) / AT103-800 (F)	800 (32")	860 (33.86")	988 (38.90")	1008 (39.69")	—	—	—	3m (9.8 feet)	3.0 (6.60)
539-126-30 (-40) / AT103-900 (F)	900 (36")	960 (37.79")	1088 (42.83")	1108 (43.62")	—	—	—	3m (9.8 feet)	3.3 (7.26)
539-127-30 (-40) / AT103-1000 (F)	1000 (40")	1060 (41.73")	1188 (46.77")	1208 (47.56")	594 (23.39")	—	—	5m (16.4 feet)	3.7 (8.14)
539-128-30 (-40) / AT103-1100 (F)	1100 (44")	1160 (45.67")	1288 (50.71")	1308 (51.50")	644 (25.35")	—	—	5m (16.4 feet)	4.0 (8.80)
539-129-30 (-40) / AT103-1200 (F)	1200 (48")	1260 (49.60")	1388 (54.65")	1408 (55.43")	694 (27.32")	—	—	5m (16.4 feet)	4.2 (9.24)
539-130-30 (-40) / AT103-1300 (F)	1300 (52")	1360 (53.54")	1488 (58.58")	1508 (59.37")	744 (29.29")	—	—	5m (16.4 feet)	4.4 (9.68)
539-131-30 (-40) / AT103-1400 (F)	1400 (56")	1460 (57.48")	1588 (62.52")	1608 (63.31")	794 (31.26")	—	—	5m (16.4 feet)	4.6 (10.12)
539-132-30 (-40) / AT103-1500 (F)	1500 (60")	1560 (61.41")	1688 (66.46")	1708 (67.24")	844 (33.23")	—	—	5m (16.4 feet)	4.8 (10.56)
539-133-30 (-40) / AT103-1600 (F)	1600 (64")	1690 (66.53")	1818 (71.57")	1838 (72.36")	—	610 (24.02")	—	5m (16.4 feet)	5.1 (11.22)
539-134-30 (-40) / AT103-1700 (F)	1700 (68")	1790 (70.47")	1918 (75.51")	1938 (76.30")	—	650 (25.59")	—	5m (16.4 feet)	5.3 (11.66)
539-135-30 (-40) / AT103-1800 (F)	1800 (72")	1890 (74.41")	2018 (79.45")	2038 (80.24")	—	670 (26.38")	—	5m (16.4 feet)	5.5 (12.10)
539-136-30 (-40) / AT103-2000 (F)	2000 (80")	2100 (82.67")	2228 (87.72")	2248 (88.50")	—	740 (29.13")	—	5m (16.4 feet)	6.0 (13.20)
539-137-30 / AT103-2200	2200 (88")	2300 (90.55")	2428 (95.59")	2448 (96.38")	—	800 (31.50")	—	5m (16.4 feet)	6.4 (14.08)
539-138-30 / AT103-2400	2400 (96")	2500 (98.42")	2628 (103.46")	2648 (104.25")	1314 (51.73")	1300 (51.18")	650 (25.59")	7m (22.9 feet)	7.1 (15.62)
539-139-30 / AT103-2500	2500 (100")	2600 (102.36")	2728 (107.40")	2748 (108.19")	1364 (53.70")	1340 (52.76")	670 (25.38")	7m (22.9 feet)	7.3 (16.06)
539-140-30 / AT103-2600	2600 (104")	2700 (106.30")	2828 (111.34")	2848 (112.13")	1414 (55.67")	1400 (55.12")	700 (27.56")	7m (22.9 feet)	7.5 (16.50)
539-141-30 / AT103-2800	2800 (112")	2900 (114.17")	3028 (119.21")	3048 (120.00")	1514 (59.60")	1500 (59.06")	750 (29.53")	7m (22.9 feet)	7.9 (17.38)
539-142-30 / AT103-3000	3000 (120")	3100 (118.11")	3228 (127.09")	3248 (127.87")	1614 (63.99")	1600 (62.99")	800 (31.50")	7m (22.9 feet)	8.3 (18.26)

Note When selecting the size of a scale unit for your application, make sure that the maximum travel range of the scale unit (L₁) is larger than the maximum travel range of the machine. Also, take into consideration selecting a size that the accuracy of the scale unit is guaranteed only within the range of the effective measuring length (L₀).

Scale Unit



Order No. and mounting dimensions

mm (inch)

Order No. / Model No.	Effective range L ₀	Travel range L ₁	Overall length L ₂	Supporting bracket position L ₃	L ₄	Signal cable length	Mass kg (lbs.)
539-143-30 / AT103-3250	3250 (130")	3350 (131.88")	3464 (136.38")	1725 (67.91")	800 (31.50")	10m (32.8 feet)	10.8 (23.76)
539-144-30 / AT103-3500	3500 (140")	3600 (141.73")	3714 (146.22")	1850 (72.83")	850 (33.46")	10m (32.8 feet)	11.4 (25.08)
539-145-30 / AT103-3750	3750 (150")	3850 (151.57")	3964 (156.06")	1975 (77.76")	930 (36.61")	10m (32.8 feet)	12.0 (26.40)
539-146-30 / AT103-4000	4000 (160")	4100 (161.42")	4214 (165.91")	2100 (82.68")	1000 (39.37")	10m (32.8 feet)	12.6 (27.72)
539-147-30 / AT103-4250	4250 (170")	4350 (171.26")	4464 (175.75")	2225 (87.60")	1050 (41.34")	10m (32.8 feet)	13.2 (29.04)
539-148-30 / AT103-4500	4500 (180")	4600 (181.10")	4714 (185.59")	2350 (92.52")	1100 (43.31")	10m (32.8 feet)	13.8 (30.36)
539-149-30 / AT103-4750	4750 (190")	4850 (191.94")	4964 (195.43")	2475 (97.44")	800 (31.50")	15m (49.2 feet)	15.2 (33.44)
539-150-30 / AT103-5000	5000 (200")	5100 (200.78")	5214 (205.28")	2600 (102.36")	830 (32.68")	15m (49.2 feet)	15.8 (34.76)
539-151-30 / AT103-5250	5250 (210")	5350 (210.63")	5464 (215.12")	2725 (107.28")	870 (34.25")	15m (49.2 feet)	16.4 (36.08)
539-152-30 / AT103-5500	5500 (220")	5600 (220.47")	5714 (224.96")	2850 (112.20")	910 (35.83")	15m (49.2 feet)	17.0 (37.40)
539-153-30 / AT103-5750	5750 (230")	5850 (230.31")	5964 (234.80")	2975 (117.13")	950 (37.40")	15m (49.2 feet)	17.6 (38.72)
539-154-30 / AT103-6000	6000 (240")	6100 (240.16")	6214 (244.65")	3100 (122.05")	1000 (39.37")	15m (49.2 feet)	18.2 (40.04)

Note When selecting the size of a scale unit for your application, make sure that the maximum travel range of the scale unit (L₁) is larger than the maximum travel range of the machine. Also, take into consideration in selecting a size that the accuracy of the scale unit is guaranteed only within the range of the effective measuring length (L₀).

Mounting parts (provided as standard)

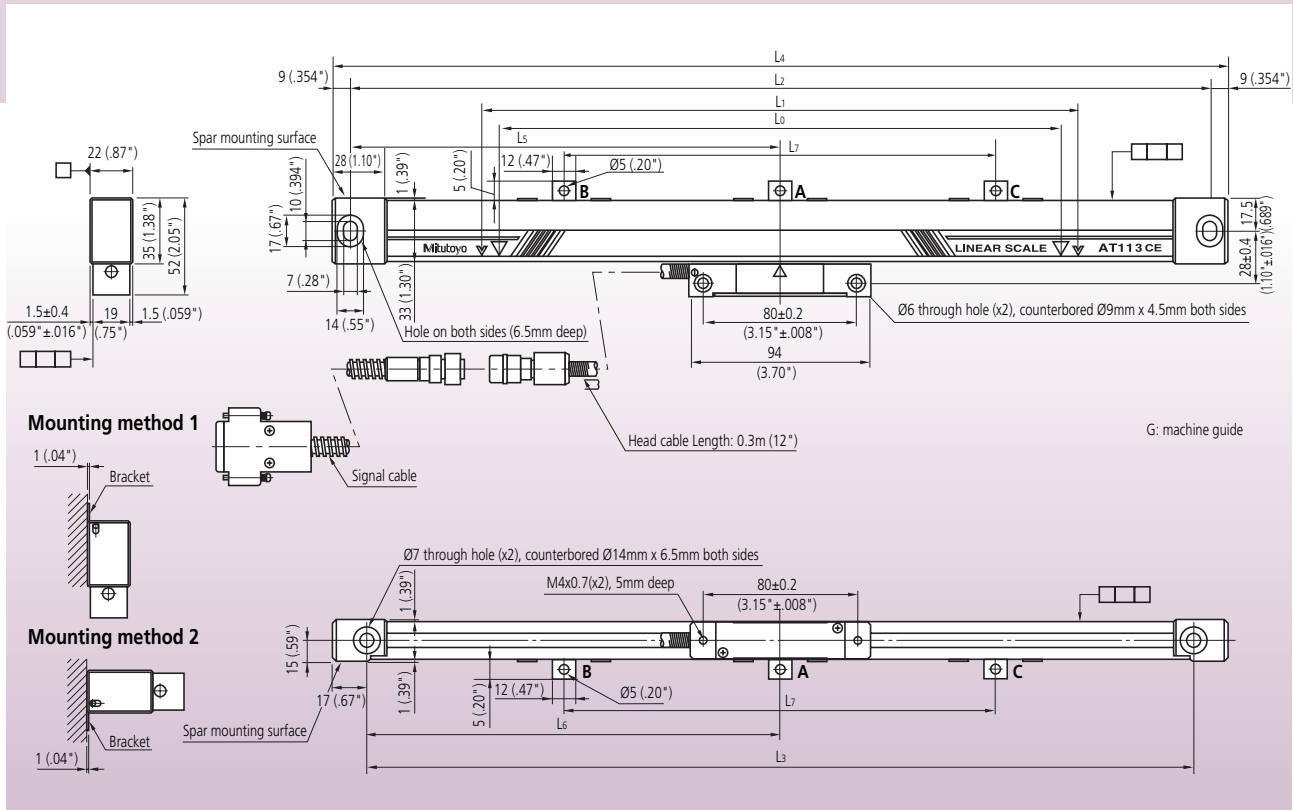
Type of spar	Standard-size	Extra-long
Effective range L ₀	100mm (4") - 3000mm (120")	3250mm (130") - 6000mm (240")
Items included	<ul style="list-style-type: none"> Hex-socket head screw (M6x1x40) 2 pcs. Hex-socket head screw (M6x1x16) 2 pcs. Hex-socket head screw (M4x0.7x8) 6 pcs. Spring washer (6mm nominal) 2 pcs. Plain washer (6mm nominal) 2 pcs. Cable clip 5 pcs. Spacer (0.3mm) 1 pc. Spacer (0.4mm) 1 pc. Spacer (0.5mm) 1 pc. Spacer (0.6mm) 1 pc. 	<ul style="list-style-type: none"> Hex-socket head screw (M6x1x40) 2 pcs. Hex-socket head screw (M6x1x30) 14 pcs. Hex-socket head screw (M4x0.7x8) 7 pcs. Spring washer (6mm nominal) 14 pcs. Plain washer (6mm nominal) 14 pcs. Cable clip 7 pcs. Spacer (0.3mm) 1 pc. Spacer (0.4mm) 1 pc. Spacer (0.5mm) 1 pc. Spacer (0.6mm) 1 pc.

Remarks: Dust-proofing and splash-proofing of the AT103 model scale units can be improved by supplying clean and dry air to the main spar. (Air pressure required: 50kPa, Air flow rate: 10 to 20 normal liters per minute)

Extension cable

Order No.	Cable length
09AAA033A	2m (6.5 feet)
09AAA033B	5m (16.4 feet)
09AAA033C	7m (22.9 feet)

AT113, Slim Type



Order No. and mounting dimensions

mm (inch)

Order No. / Model No. () : suffix for high accuracy type	Effective range L ₀	Travel range L ₁	Mount interval L ₂	Mount interval L ₃	Overall length L ₄	Supporting bracket position			Signal cable length	Mass kg (lbs.)
						L ₅	L ₆	L ₇		
539-201-30 (-40) / AT113-100 (F)	100 (4")	120 (4.72")	258 (10.16")	242 (9.53")	276 (10.87")	—	—	—	3m (9.8 feet)	0.9 (1.98)
539-202-30 (-40) / AT113-150 (F)	150 (6")	170 (6.69")	308 (12.13")	292 (11.50")	326 (12.83")	—	—	—	3m (9.8 feet)	0.9 (1.98)
539-203-30 (-40) / AT113-200 (F)	200 (8")	220 (8.66")	358 (14.09")	342 (13.46")	376 (14.80")	—	—	—	3m (9.8 feet)	0.9 (1.98)
539-204-30 (-40) / AT113-250 (F)	250 (10")	270 (10.63")	408 (16.06")	392 (15.43")	426 (16.77")	—	—	—	3m (9.8 feet)	1.0 (2.2)
539-205-30 (-40) / AT113-300 (F)	300 (12")	330 (12.99")	468 (18.43")	452 (17.80")	486 (19.13")	—	—	—	3m (9.8 feet)	1.0 (2.2)
539-206-30 (-40) / AT113-350 (F)	350 (14")	380 (14.96")	518 (20.39")	502 (19.76")	536 (21.10")	—	—	—	3m (9.8 feet)	1.1 (2.42)
539-207-30 (-40) / AT113-400 (F)	400 (16")	430 (16.93")	568 (22.36")	552 (21.73")	586 (23.07")	—	—	—	3m (9.8 feet)	1.1 (2.42)
539-208-30 (-40) / AT113-450 (F)	450 (18")	480 (18.90")	618 (24.33")	602 (23.70")	636 (25.04")	—	—	—	3m (9.8 feet)	1.1 (2.42)
539-209-30 (-40) / AT113-500 (F)	500 (20")	540 (21.26")	678 (26.69")	662 (26.06")	696 (27.40")	339 (13.35")	331 (13.03")	—	3m (9.8 feet)	1.2 (2.64)
539-211-30 (-40) / AT113-600 (F)	600 (24")	640 (25.20")	778 (30.63")	762 (30.00")	796 (31.34")	389 (15.31")	381 (15.00")	—	3m (9.8 feet)	1.3 (2.86)
539-213-30 (-40) / AT113-700 (F)	700 (28")	740 (29.13")	878 (34.57")	862 (33.94")	896 (35.28")	439 (17.28")	431 (16.97")	—	3m (9.8 feet)	1.3 (2.86)
539-214-30 (-40) / AT113-750 (F)	750 (30")	780 (30.71")	918 (36.14")	902 (35.51")	936 (36.85")	459 (18.07")	451 (17.76")	—	3m (9.8 feet)	1.4 (3.08)
539-215-30 (-40) / AT113-800 (F)	800 (32")	840 (33.07")	978 (38.50")	962 (37.87")	996 (39.21")	489 (19.25")	481 (18.94")	—	3m (9.8 feet)	1.4 (3.08)
539-216-30 (-40) / AT113-900 (F)	900 (36")	940 (37.01")	1078 (42.44")	1062 (41.81")	1096 (43.15")	539 (21.22")	531 (20.91")	—	3m (9.8 feet)	1.5 (3.3)
539-217-30 (-40) / AT113-1000 (F)	1000 (40")	1040 (40.94")	1178 (46.38")	1162 (45.75")	1196 (47.09")	589 (23.19")	581 (22.87")	—	5m (16.4 feet)	1.9 (4.18)
539-218-30 (-40) / AT113-1100 (F)	1100 (44")	1140 (44.88")	1278 (50.31")	1262 (49.69")	1296 (51.02")	—	—	430 (16.93")	5m (16.4 feet)	1.9 (4.18)
539-219-30 (-40) / AT113-1200 (F)	1200 (48")	1240 (48.82")	1378 (54.25")	1362 (53.62")	1396 (54.96")	—	—	460 (18.11")	5m (16.4 feet)	2.0 (4.4)
539-220-30 (-40) / AT113-1300 (F)	1300 (52")	1340 (52.76")	1478 (58.19")	1462 (57.56")	1496 (58.90")	—	—	490 (19.29")	5m (16.4 feet)	2.1 (4.62)
539-221-30 (-40) / AT113-1400 (F)	1400 (56")	1440 (56.69")	1578 (62.13")	1562 (61.50")	1596 (62.83")	—	—	530 (20.87")	5m (16.4 feet)	2.2 (4.84)
539-222-30 (-40) / AT113-1500 (F)	1500 (60")	1540 (60.63")	1678 (66.06")	1662 (65.43")	1696 (66.77")	—	—	560 (22.05")	5m (16.4 feet)	2.2 (4.84)

Note) When selecting the size of a scale unit for your application, make sure that the maximum travel range of the scale unit (L₁) is larger than the maximum travel range of the machine. Also, take into consideration in selecting a size that the accuracy of the scale unit is guaranteed only within the range of the effective measuring length (L₀).

Extension cable

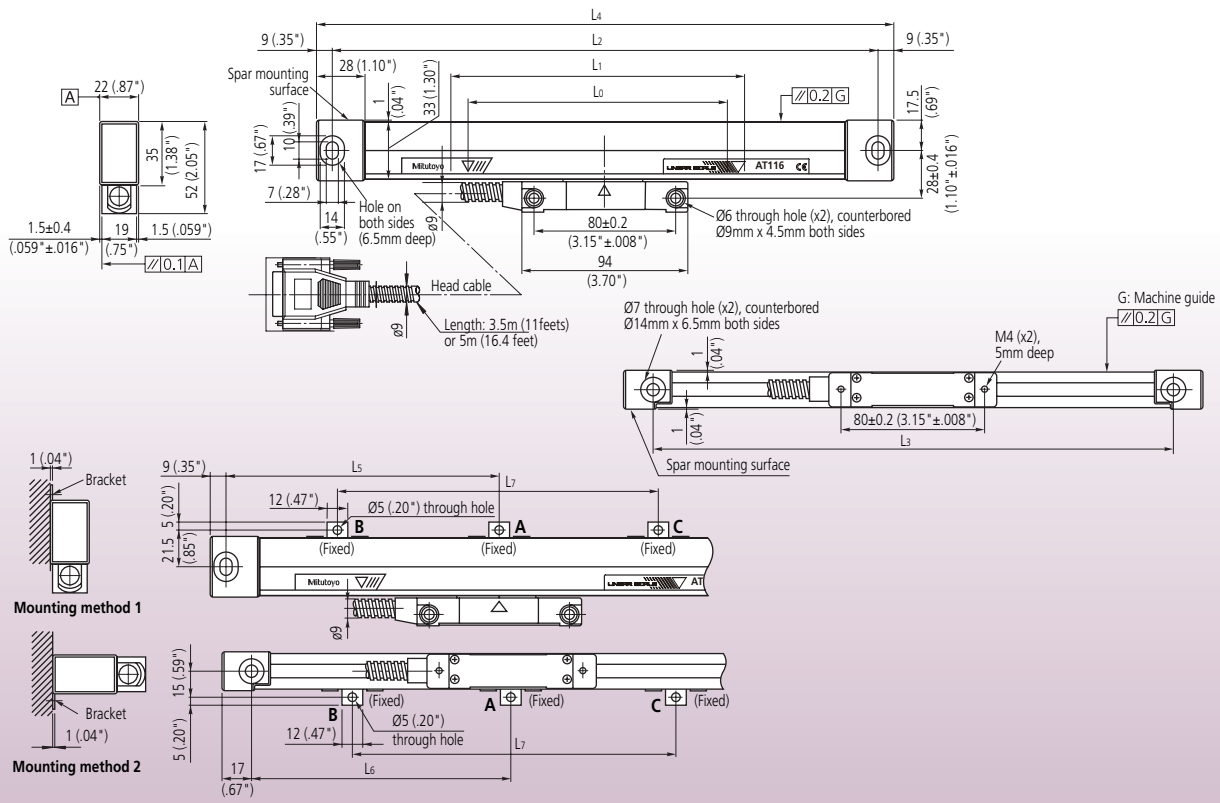
Order No.	Cable length
09AAA033A	2m (6.5 feet)
09AAA033B	5m (16.4 feet)
09AAA033C	7m (22.9 feet)

Mounting parts (provided as standard)

Items included	Quantity
• Hex-socket head screw (M6x1x25)	2 pcs.
• Hex-socket head screw (M4x0.7x25)	2 pcs.
• Hex-socket head screw (M4x0.7x8)	6 pcs.
• Spring washer (4mm nominal)	2 pcs.
• Plain washer (4mm nominal)	2 pcs.
• Cable clip	5 pcs.
• Connector clamp	1 pc.
• Spacer (0.3mm)	1 pc.
• Spacer (0.4mm)	1 pc.
• Spacer (0.5mm)	1 pc.
• Spacer (0.6mm)	1 pc.

AT116, Slim and Economy Type

Scale Unit



Order No. and mounting dimensions

mm (inch)

Order No. / Model No.	Effective range L ₀	Travel range L ₁	Mount interval L ₂	Mount interval L ₃	Overall length L ₄	Supporting bracket position			Head cable length	Mass kg (lbs.)
						L ₅	L ₆	L ₇		
539-271-30 / AT-116-100	100 (4")	120 (4.72")	258 (10.16")	242 (9.53")	276 (10.87")	—	—	—	3.5m (9.8 feet)	0.5 (1.1)
539-272-30 / AT-116-150	150 (6")	170 (6.69")	308 (12.13")	292 (11.50")	326 (12.83")	—	—	—	3.5m (9.8 feet)	0.6 (1.32)
539-273-30 / AT-116-200	200 (8")	220 (8.66")	358 (14.09")	342 (13.46")	376 (14.80")	—	—	—	3.5m (9.8 feet)	0.7 (1.54)
539-274-30 / AT-116-250	250 (10")	270 (10.63")	408 (16.06")	392 (15.43")	426 (16.77")	—	—	—	3.5m (9.8 feet)	0.8 (1.76)
539-275-30 / AT-116-300	300 (12")	330 (12.99")	468 (18.43")	452 (17.80")	486 (19.13")	—	—	—	3.5m (9.8 feet)	0.9 (1.98)
539-276-30 / AT-116-350	350 (14")	380 (14.96")	518 (20.39")	502 (19.76")	536 (21.10")	—	—	—	3.5m (9.8 feet)	1.0 (2.2)
539-277-30 / AT-116-400	400 (16")	430 (16.93")	568 (22.36")	552 (21.73")	586 (23.07")	—	—	—	3.5m (9.8 feet)	1.1 (2.42)
539-278-30 / AT-116-450	450 (18")	480 (18.90")	618 (24.33")	602 (23.70")	636 (25.04")	—	—	—	3.5m (9.8 feet)	1.2 (2.64)
539-279-30 / AT-116-500	500 (20")	540 (21.26")	678 (26.69")	662 (26.06")	696 (27.40")	339 (13.35")	331 (13.03")	—	3.5m (9.8 feet)	1.3 (2.86)
539-281-30 / AT-116-600	600 (24")	640 (25.20")	778 (30.63")	762 (30.00")	796 (31.34")	389 (15.31")	381 (15.00")	—	3.5m (9.8 feet)	1.4 (3.08)
539-283-30 / AT-116-700	700 (28")	740 (29.13")	878 (34.57")	862 (33.94")	896 (35.28")	439 (17.28")	431 (16.97")	—	3.5m (9.8 feet)	1.6 (3.52)
539-284-30 / AT-116-750	750 (30")	780 (30.71")	918 (36.14")	902 (35.51")	936 (36.85")	459 (18.07")	451 (17.76")	—	3.5m (9.8 feet)	1.7 (3.74)
539-285-30 / AT-116-800	800 (32")	840 (33.07")	978 (38.50")	962 (37.87")	996 (39.21")	489 (19.25")	481 (18.94")	—	3.5m (9.8 feet)	1.8 (3.96)
539-286-30 / AT-116-900	900 (36")	940 (37.01")	1078 (42.44")	1062 (41.81")	1096 (43.15")	539 (21.22")	531 (20.91")	—	3.5m (9.8 feet)	2.0 (4.4)
539-287-30 / AT-116-1000	1000 (40")	1040 (40.94")	1178 (46.38")	1162 (45.75")	1196 (47.09")	589 (23.19")	581 (22.87")	—	5m (16.4 feet)	2.3 (5.06)
539-288-30 / AT-116-1100	1100 (44")	1140 (44.88")	1278 (50.31")	1262 (49.69")	1296 (51.02")	—	—	430 (16.93")	5m (16.4 feet)	2.5 (5.5)
539-289-30 / AT-116-1200	1200 (48")	1240 (48.82")	1378 (54.25")	1362 (53.62")	1396 (54.96")	—	—	460 (18.11")	5m (16.4 feet)	2.7 (5.94)
539-290-30 / AT-116-1300	1300 (52")	1340 (52.76")	1478 (58.19")	1462 (57.56")	1496 (58.90")	—	—	490 (19.29")	5m (16.4 feet)	2.9 (6.38)
539-291-30 / AT-116-1400	1400 (56")	1440 (56.69")	1578 (62.13")	1562 (61.50")	1596 (62.83")	—	—	530 (20.87")	5m (16.4 feet)	3.1 (6.82)
539-292-30 / AT-116-1500	1500 (60")	1540 (60.63")	1678 (66.06")	1662 (65.43")	1696 (66.77")	—	—	560 (22.05")	5m (16.4 feet)	3.2 (7.04)

Note) When selecting the size of a scale unit for your application, make sure that the maximum travel range of the scale unit (L₁) is larger than the maximum travel range of the machine. Also, take into consideration in selecting a size that the accuracy of the scale unit is guaranteed only within the range of the effective measuring length (L₀).

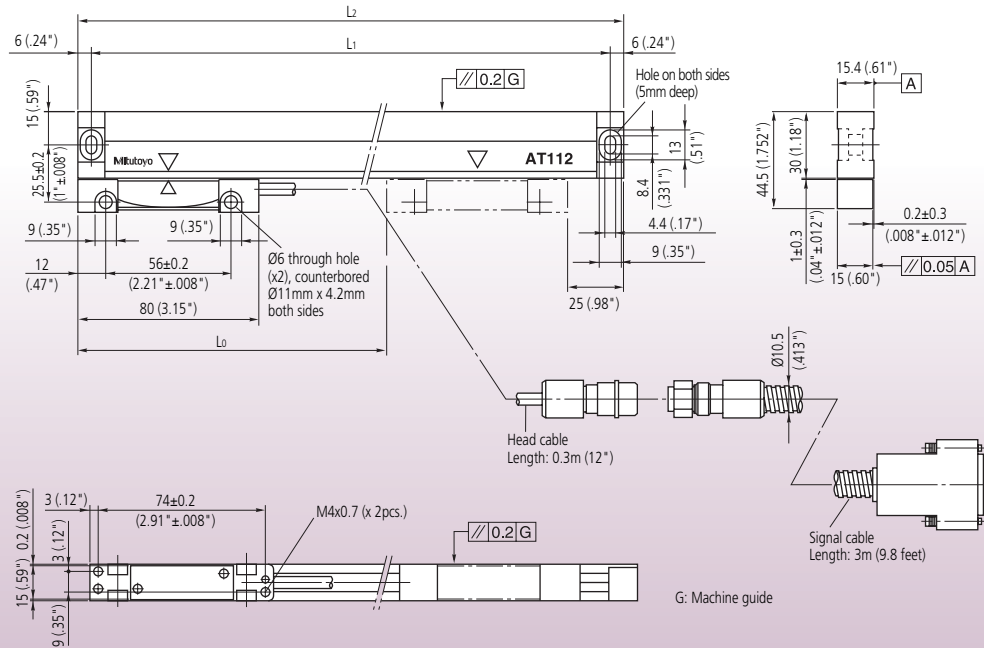
Extension cable

Order No.	Cable length
09AAA720A	2m (6.5 feet)
09AAA720B	5m (16.4 feet)
09AAA720C	7m (22.9 feet)

Mounting parts (provided as standard)

Items included	Quantity
• Hex-socket head screw (M6x1x25)	2 pcs.
• Hex-socket head screw (M4x0.7x25)	2 pcs.
• Hex-socket head screw (M4x0.7x8)	6 pcs.
• Plain washer (6mm nominal)	2 pcs.
• Plain washer (4mm nominal)	2 pcs.
• Connector clamp	6 pc.
• Spacer (0.3mm)	1 pc.
• Spacer (0.4mm)	1 pc.
• Spacer (0.5mm)	1 pc.
• Spacer (0.6mm)	1 pc.

AT112-F, Super Slim Type



Order No. and mounting dimensions

mm (inch)

Order No. / Model No.	Effective range L ₀	Mount interval L ₁	Overall length L ₂	Signal cable length	Mass kg (lbs.)
539-251-10 / AT112-50F	50 (2.0")	143 (5.63")	155 (6.10")	3m (9.8 feet)	0.72 (1.58)
539-252-10 / AT112-70F	70 (2.8")	163 (6.42")	175 (6.89")	3m (9.8 feet)	0.74 (1.63)
539-253-10 / AT112-120F	120 (4.8")	213 (8.39")	225 (8.86")	3m (9.8 feet)	0.80 (1.76)
539-254-10 / AT112-170F	170 (6.8")	263 (10.35")	275 (10.83")	3m (9.8 feet)	0.85 (1.87)
539-255-10 / AT112-220F	220 (8.8")	313 (12.32")	325 (12.80")	3m (9.8 feet)	0.90 (1.98)
539-256-10 / AT112-270F	270 (10.8")	363 (14.29")	375 (14.76")	3m (9.8 feet)	0.95 (2.09)
539-257-10 / AT112-320F	320 (12.8")	413 (16.26")	425 (16.73")	3m (9.8 feet)	1.00 (2.20)
539-258-10 / AT112-370F	370 (14.8")	463 (18.23")	475 (18.70")	3m (9.8 feet)	1.05 (2.31)
539-259-10 / AT112-420F	420 (16.8")	513 (20.20")	525 (20.67")	3m (9.8 feet)	1.10 (2.42)
539-260-10 / AT112-470F	470 (18.8")	563 (22.17")	575 (22.64")	3m (9.8 feet)	1.15 (2.53)
539-261-10 / AT112-520F	520 (20.8")	613 (24.13")	625 (24.61")	3m (9.8 feet)	1.20 (2.64)
539-262-10 / AT112-570F	570 (22.8")	663 (26.10")	675 (26.57")	3m (9.8 feet)	1.25 (2.75)
539-263-10 / AT112-620F	620 (24.8")	713 (28.07")	725 (28.54")	3m (9.8 feet)	1.30 (2.86)
539-264-10 / AT112-670F	670 (26.8")	763 (30.04")	775 (30.51")	3m (9.8 feet)	1.35 (2.97)
539-265-10 / AT112-720F	720 (28.8")	813 (32.01")	825 (32.48")	3m (9.8 feet)	1.40 (3.08)
539-266-10 / AT112-770F	770 (30.8")	863 (33.98")	875 (34.45")	3m (9.8 feet)	1.45 (3.19)
539-267-10 / AT112-820F	820 (32.8")	913 (35.94")	925 (36.42")	3m (9.8 feet)	1.50 (3.30)
539-268-10 / AT112-920F	920 (36.8")	1013 (39.88")	1025 (40.35")	3m (9.8 feet)	1.56 (3.43)
539-269-10 / AT112-1020F	1020 (40.8")	1113 (43.82")	1125 (44.29")	3m (9.8 feet)	1.62 (3.56)

Note When selecting the size of a scale unit for your application, make sure that the maximum travel range of the scale unit (L₁) is larger than the maximum travel range of the machine. Also, take into consideration in selecting a size that the accuracy of the scale unit is guaranteed only within the range of the effective measuring length (L₀).

Extension cable

Order No.	Cable length
09AAA033A	2m (6.5 feet)
09AAA033B	5m (16.4 feet)
09AAA033C	7m (22.9 feet)

Mounting parts (provided as standard)

Items included	
• Hex-socket head screw (M4x0.7x25)	4 pcs.
• Hex-socket head screw (M4x0.7x8)	6 pcs.
• Spring washer (4mm nominal)	4 pcs.
• Plain washer (4mm nominal)	4 pcs.
• Cable clip	5 pcs.
• Connector clamp	1 pc.
• Spacer (0.3mm)	1 pc.
• Spacer (0.4mm)	1 pc.
• Spacer (0.5mm)	1 pc.
• Spacer (0.6mm)	1 pc.

Mitutoyo